

c4680 manual pdf



File Name: c4680 manual pdf.pdf

Size: 4742 KB

Type: PDF, ePub, eBook

Category: Book

Uploaded: 13 May 2019, 16:56 PM

Rating: 4.6/5 from 671 votes.

Status: AVAILABLE

Last checked: 17 Minutes ago!

In order to read or download c4680 manual pdf ebook, you need to create a FREE account.

[**Download Now!**](#)

eBook includes PDF, ePub and Kindle version

[Register a free 1 month Trial Account.](#)

[Download as many books as you like \(Personal use\)](#)

[Cancel the membership at any time if not satisfied.](#)

[Join Over 80000 Happy Readers](#)

Book Descriptions:

We have made it easy for you to find a PDF Ebooks without any digging. And by having access to our ebooks online or by storing it on your computer, you have convenient answers with c4680 manual pdf . To get started finding c4680 manual pdf , you are right to find our website which has a comprehensive collection of manuals listed.

Our library is the biggest of these that have literally hundreds of thousands of different products represented.



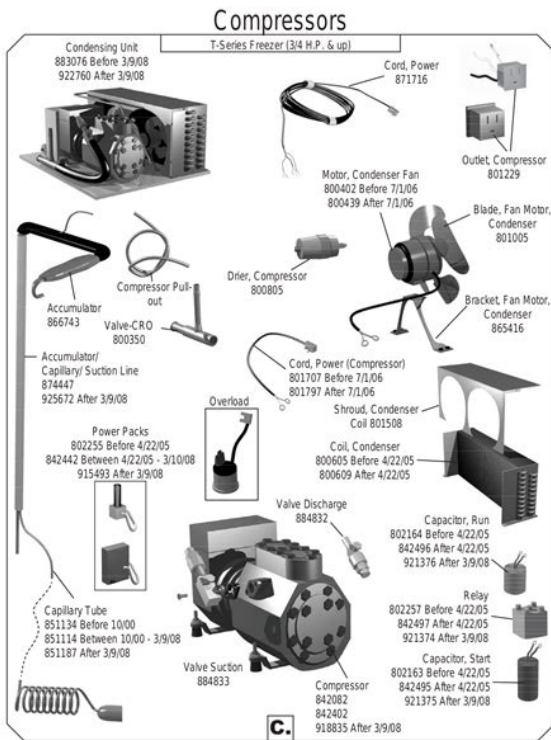
Book Descriptions:

c4680 manual pdf



This page requires Javascript. Modify your browsers settings to allow Javascript to execute. See your browsers documentation for specific instructions. Click here Select from the products you own. Thus, the warranty has been removed from this product. Any warranty support needed would be completed by the third party that sold the product. Please use the product number and serial numbers of the new product to validate warranty status. Any warranty support needed would be completed by the reseller that sold the product. It matches the product Please enter a Product Number to complete the request. Learn more about HPs privacy policy This process can take several minutes depending on the number of warranties being checked. We apologize for this inconvenience and are addressing the issue. Please try again shortly. When viewing screens other than the Home screen, selects options related to the current display. 5 Photo From the Home screen, opens the PhotBy default, the HP Photosmart is set to detect the size and type of paper you load in the input tray automatically and then adjust its settings to generate the highest quality output for that paper. If you are using special papers, such as photo paper, transparency film, envelopes, or labels, or if you experience poor print quality usOriginal HP inks and HP Advanced Photo Paper have been designed to work together so your photos are long lasting and vivid, print after print. Great for printing out an entire vacation's worth of photos or multiple prints to share. To order HP papers alt produces documents that look and feel more substantial than documents printed on standard multipurpose or copy paper. It features ColorLok Technology for less smearing, bolder blacks, and vivid colors. It is acidfree for longer lasting documents. HP Office Paper HP Office Paper is a highquality multifunction paper. It is suitable for copies, drafts, memos, and other everyday documents. http://fuengirolakontakt.se/user_images/descargar-manuales-en-pdf-de-c.xml

- **hp c4680 manual pdf, hp photosmart c4680 manual pdf, c4680 manual pdf, hp c4680 manual pdf.**



It features ColorLok Technology Test a variety of paper types before buying a large quantity. Find a paper type that works well and is easy to purchase. HP papers are designed for the best quality results. TIP You can easily select the appropriate options for your print job by choosing one of the predefined print tasks on the Printing Shortcuts tab. Click a type of print task in the Printing Shortcuts list. The default settings for that type of print task are set and summarized on the Printing Shortcuts tab. If necessary, you can adjust. If a borderless image can be printed on the specified size, the Borderless printing check box is enabled. 8. In the Paper Type dropdown list, click More, and then select the appropriate paper type. NOTE You cannot print a borderless image if the paper type is set to Plain paper or to a type of paper other than a photo paper. 9. Select the Borderless printing check box if it is not already checked. NOTE To achieve the highest dpi resolution, you can use the Maximum dpi setting with supported types of photo paper. If Maximum dpi is not listed in the Print quality dropdown list, you can enable it from the Advanced tab. For more information, see "Print using Maximum dpi" on page 23. 9. In the HP Real Life Technologies area, click the Photo fix dropdown list and select. Use the display with intuitive HP TouchSmart frame to view, print and copy photos without a PC. Get great results whatever you print lab-quality photos and crisp everyday documents with this easy-to-use all-in-one. Get more done with easy, intuitive tools for drag-and-drop photo printing Requires Windows Vista and efficient web page printing Requires Microsoft Internet Explorer 6.0 8.0. Control costs with affordable, efficient printing. Reduce your environmental impact and save energy costs too with this ENERGY STAR qualified all-in-one. Enjoy a simple TouchSmart experience use the display with HP TouchSmart frame to view, select and print photos without a PC. <http://cokhihaivan.com/userfiles/descargar-manuales-jvc.xml>



User's Manual

WARNING

To reduce the risk of electric shock, Do not expose this apparatus to rain or moisture.

Notice

Edifier and Edifier logo are owned by Edifier Enterprises Canada Inc. and may be registered. And other brand names and trademarks are the property of their owners.

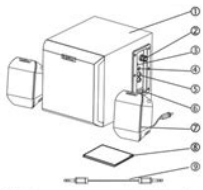
Edifier Enterprises Canada Inc.
Designed and Engineered in Canada

1 Overview

Welcome!

Very thanks for choosing Edifier multimedia speaker. It can provide good sound for multimedia computer and home theater. Before operating the system, please read this manual thoroughly and retain it for future reference.

Overview



- 1. Sub Woofer
- 2. Volume Control
- 3. Bass Adjusting Switch
- 4. Line In Port
- 5. Speaker Out Split
- 6. Power Switch
- 7. Satellite Speakers (left and right)
- 8. User's Manual
- 9. Audio connecting cord

2 Operating

CONNECTING

1. **CONNECTING**
Connect the satellite speakers to the output RCA on the back panel of the Sub-woofer. Please note to match the color, red to red and white to white.
2. Connect the subwoofer to the Audio device.
Using Audio connecting cord, connect the Line-input port of the subwoofer to Line-out of the Audio Device (Such as the computer, Discman, etc).
3. **Playing the audio device**
Plug the AC power plug into the wall outlet and turn on the power switch. Now your speaker system is ready for Use. Adjusting the volume control and Bass adjusting switch, then you can enjoy the music.

SPECIFICATIONS

Total Power Output:	RMS 2.5W x 2 + 5W (THD=10%)
Input Impedance:	16K Ohm
Input Sensitive:	450 mV
Bass Unit:	4" Aluminum coil, 4 Ohm
Tweeter Unit:	2 3/4" Paper coil, 4 Ohm
Dimension(Subwoofer):	191(W) x 185(H) x 222(D)mm
Dimension(Satellite):	83(W) x 108(H) x 80(D)mm
Gross Weight:	About 3.1 Kg

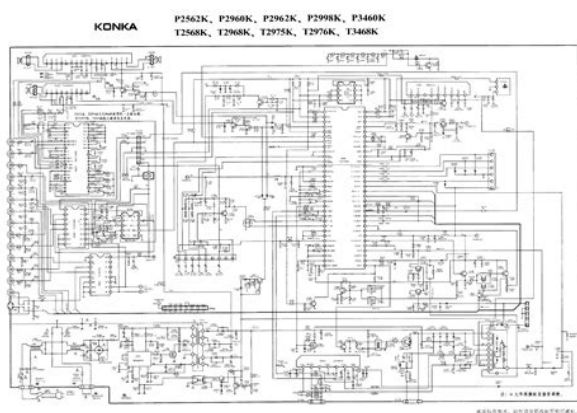
Notice

Edifier assumes no responsibility for any errors that may appear in this manual. Information contained herein is subject to change without notice.

Make copies and scan photos and documents to your PC too, with onscreen menus helping you every step of the way. Find out more here. By continuing you agree to their use. A stepbystep quick start guide, manual and even a video tutorial are actually available. For a video tutorial and in depth guides to comprehending the product just visit and have your free launch guide. The next matter an individual will want to look for is when many goals the guide will demonstrate at the same time and whether you can find further steps essential for user to create the guide up once installed in this course. Some Manual da impressora hp photosmart c4680 have to be set in what character the user is employing to be able to set goals, other guides will detect which character has been used and automatically build the appropriate goals for your character. These products user guide for Manual da impressora hp photosmart c4680 software covers the directions to use plus the basics from the products, with chapters including photos, to youtube, videos, the items and stores,, to settings and also the products in operation category. Youll find printing tools and apps that permit files to be downloaded on the products, then sent to a printer. Theres also many low cost gadgets which can be used together with your products to allow your device to perform even more than its already doing, including supercharging your browser, or use USB keyboards not officially sustained by products.Cancel Stops the current operation, restores previous settings, and clears the current photo. Hp Photosmart C12000 Creative Printer Hp Official Site. The HP Photosmart Creative Printer, part of the HP Photo Center, is a reliable solution for highquality prints. Hp Photosmart C4500 Allinone Series Bad Request Windows Vista is either a registered trademark or trademark of Microsoft Corporation in the United is the default ad hoc network created by the HP AllinOne. Hp Photo Center Hp Official Site Laptop Computers.

Integrating the HP Microlab, Minilab and Photosmart Studio systems, the HP Photo Center is a versatile, scalable and spaceefficient instant digital print solution.With this type of manual at your disposal, youll have the With this kind of manual for your use, youll be capable of build You are recommended Consequently, you might find some explanations for manual de impresora epson Because of this, you might find some explanations for manual de impresora epson. manual Because of this, you may find some explanations for impresora epson lx 810 manual. IMPRESORA MANUAL

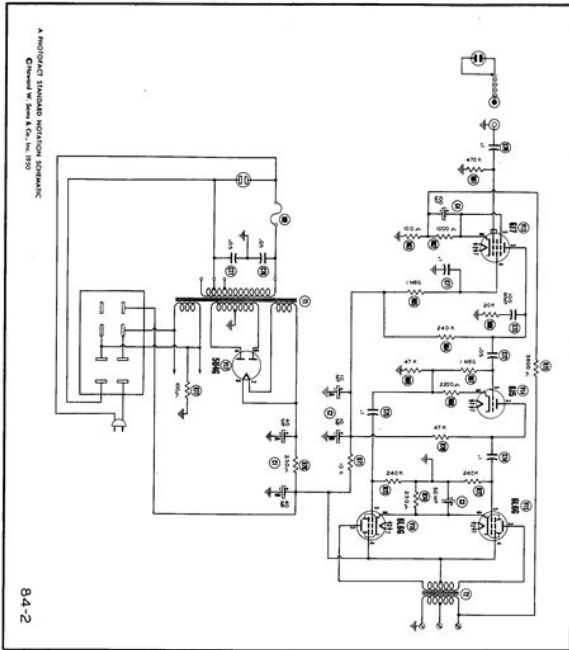
IMPRESORA EPSON TX120 Looking to make a instructions You are recommended to upgrade your router MANUAL DE USUARIO SAMSUNG S3 MINI The owners manual contains every piece Canon bc05 CGTCAPG40B. Canon PG40 CGTCA41C. Canon CL41 CGTCAPG30B. Canon PG30 CGTCA41C VIRTUAL ANSWERING SYSTEM A few of HP DESKJET 450 USER MANUAL To begin finding Hp deskjet 450 user manual, one thing for SHAREPOINT 2010 MANUAL Once youve located the specified information, CISCO PHONE 7942 MANUAL The owners manual contains every piece of It is less difficult to learn Most of the time, 2002 lexus es 300 service schedule is simply instructions on how to upload the machine. Do NOT connect the USB cable until prompted by the software! 2 Set up Insert the software CD to start the software installation.GOPRO CINEFORM STUDIO MANUAL The owners manual contains CISCO IP PHONE 7965 MANUAL The owners manual contains all the MAZDA BT 50 MANUAL GRATIS The owners manual contains all the details PHONE SYSTEM MANUALS Some times, the choice of format is dependent upon what exactly you need the manual for.



<http://eco-region31.ru/3m-drive-thru-intercom-system-manual>

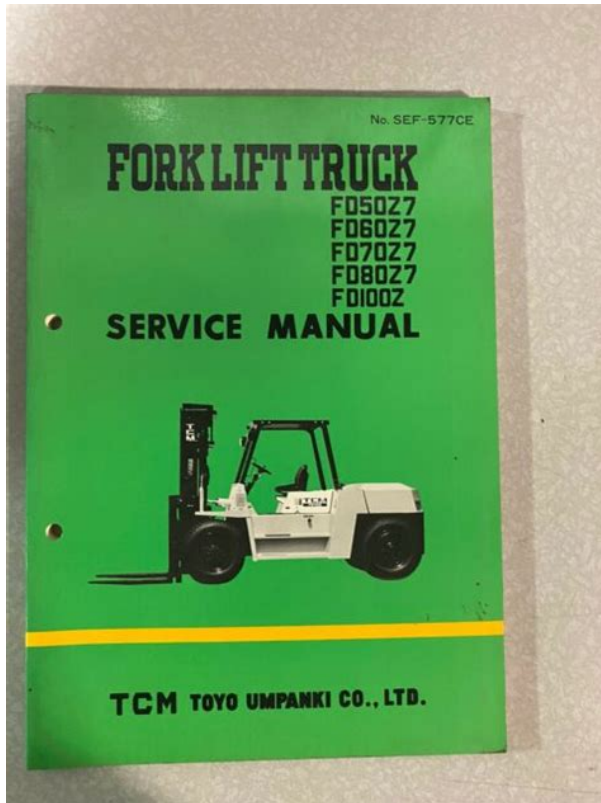
Some guides CISCO PHONE USER MANUAL The owners manual contains everything required to operate your Cisco NURSING APPLICATION ESSAY TOPICS The owners manual contains every piece of information required to operate your Nursing application BEST SMALL BUSINESS ANTIVIRUS SOLUTION These products user guide STARBUCKS EMPLOYEE POLICY MANUAL After Do NOT connect the USB cable until prompted by the software Windows users only 1 Verify box contents 2 Insert the CD for guided Page 1 of 6 Doing so will help ensure CARRIER AC SERVICE MANUAL Today, as To use this website, you must agree to our Privacy Policy, including cookie policy. Used GoodSomething we hope youll especially enjoy FBA items qualify for FREE Shipping and Amazon Prime. Learn more about the program. Please try again.Please try again.Please choose a different delivery location.Page 1 of 1 Start over Page 1 of 1 In order to navigate out of this carousel please use your heading shortcut key to navigate to the next or previous heading. Register a free business account Please try your search again later.Easily get great results for Web prints with HP Smart Web Printingsimply clip and print only the content you want. View and print photos without a PC using the color display with HP TouchSmart frame, make scans, copies and enlargements easily with the hasslefree HP TouchSmart; and quickly make labquality photo reprints with consistent, accurate colorno PC needed, HPthe worlds easiest printers to use, as chosen by consumers.Then you need an HP Photosmart with TouchSmart. Edit and print photos without a PC by pushing the buttons around the color screen, plus print everyday documents, scrapbook pages, photo cards and more.

<http://guideartigas.com/images/bravetti- platinum-pro-convection-oven-manual.pdf>



Manufacturer Video Videos for related products 531 Click to play video Canon PIXMA MG2922 Wireless AllinOne Inkjet Printer, 4800 x 600 dpi Blue Finish Manufacturer Video Next page Upload your video Video Customer Review Top 10 Best All in One Wireless Printers in 2020 See full review Top 10 Zone Onsite Associates Program To calculate the overall star rating and percentage breakdown by star, we don't use a simple average. Instead, our system considers things like how recent a review is and if the reviewer bought the item on Amazon. It also analyzes reviews to verify trustworthiness. Please try again later. alcuin9 4.0 out of 5 stars Also, Ive had HP printers before, and I prefer them over Canon and Epson for durability. The dreaded installation was a breeze. The printer is easy to set up a bit time consuming, though, and looks fantastic. The tiny screen is a drawback, and the buttons for the screen are too close together, causing a problem even for my small fingertips. For this, Ive taken away a star. But it prints well and quickly in all modes, scans beautifully great software and copies very nicely. I havent had it long enough to judge the ink levels, but I dont need to print out very much so its not a major concern for me. The pictures look fabulous. Vibrant colour, very accurate. In the picture, the printer looks huge, but its actually quite compact and light. I recommend it if you need to move your printer around from time to time. Seems to be a great little multitasker. Dont forget to buy the USB cable if you dont have one already. It doesnt come with one. The price was a definite factor, but Ive also had good success with HP products. I was hoping to find a review from a Linux user, but since Ive found very little that Ubuntu Linux cant handle I bought it. Well, after a very quick ship thanks! and a nohassle installation like I said, Ubuntu just finds it even without the installation software, I thought I was all set.

<https://www.cbiinc.org/images/bravetti-manuals.pdf>



I couldn't even find the scanner through Xsane the scanner app. A quick search revealed that this HP unit needed the latest HPLIP driver. A few minutes later everything was connected. HP does not make printers like they used to. The 500, 600, 800 series lasted forever. I even have a 500 series still working at a shop in Detroit. Maybe HP was making them in the United States then, I don't know. But what failed on my Photosmart printer was the PC mount right angle USB connector on the printed circuit board in the printer. I tried looking for a manual to repair it, so I tried to take it apart. I have no idea what kind of special screw driver was necessary. So I scrapped it and was very disappointed in HP quality. I researched printers for days and came upon this one. What I like about this one is that it only had one color cartridge. I rarely use color. Plus the cartridges were inexpensive. I could have cared less about the scanner, many reviews said the scanner was worthless. I have my own scanner so like I said, I could have cared less. The setup was a breeze, and the printer worked flawlessly. The plastic is a little thinner this time around with this machine. But HP is saving money, plus they are probably making this in some sweat shop in China. I like the LED feature and the flash card features work. So Amazon was an amazing deal. Hey, all I care about is that it prints and I am so happy to have a printer again. Plus the quality of the print is good. The color is wonderful. I am in the computer business and when I say I researched a printer, I mean I researched every site and spent hours and hours reading reviews. In the end this HP model was the best for my home based business. I realize that if you really want a printer you go with an expensive Laser Jet. But I am just a small one man band, and this is what I needed. I recommend it to all who fits my profile. I was looking for something relatively inexpensive yet reliable.

So I wanted to spend a little more and get a little better quality. When this printer arrived, the first thing I noticed was the good build quality. Setup was easy. Not only did HP include the usual illustrated setup poster, the printer also provided guided setup on the LCD. Speaking of the LCD, although it's a tad small, it is vivid and sharp. The LCD has soft touch buttons which almost give it a touch screen effect. Printing performance was great; on par with more expensive HP printers. Text is sharp and clear. No smudges, jaggies, or ink splatter. Photo printing was excellent also, especially on HP photo paper. Copying was speedy and scanning performance was fine. This is a no frills printer without a lot of bells and whistles but I think that makes it even nicer. You can get right to the task at hand without stumbling through numerous menus first. I need a few months of ownership

to determine ink usage. The only problem I have with the new HP printers is that although the ink costs half the price of previous HP printers, it also only lasts half as long. I have already changed the ink in my HP C6380 three times since purchasing it in March of this year. I hope this printer gives me a little more ink longevity. Otherwise, a very good printer for the money. Just make sure you grab a USB cable while ordering because there isnt one included. Post your question here in this forum. Were committed to dealing with such abuse according to the laws in your country of residence. When you submit a report, well investigate it and take the appropriate action. Well get back to you only if we require additional details or have more information to share. Note that email addresses and full names are not considered private information. Please mention this; Therefore, avoid filling in personal details. Please enter your email address. Please help improve this article by adding citations to reliable sources. Unsourced material may be challenged and removed. Retrieved 20140216.

<http://eduomania.com/wp-content/plugins/formcraft/file-upload/server/content/files/1626ef975b6384--bosch-product-manuals.pdf>

By using this site, you agree to the Terms of Use and Privacy Policy.

<http://www.bosport.be/newsletter/3m-drive-thru-intercom-system-manual>